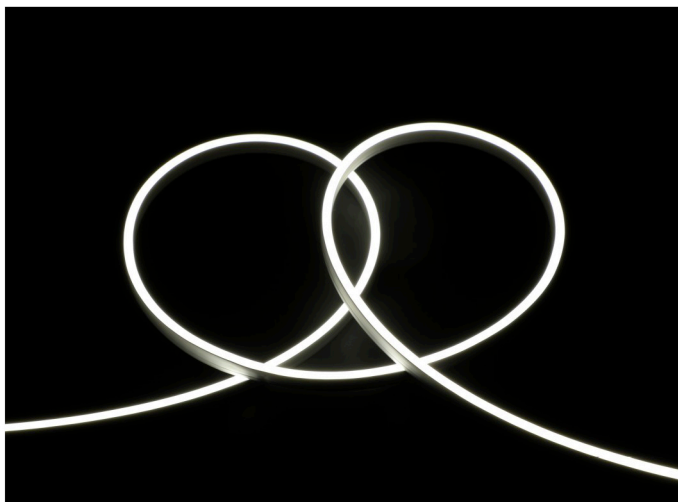


CUT WHEREVER YOU WANT !

The linear light without cutting unit.



FEATURES

REV00

- The biggest innovation which it brings is the **possibility to cut it in any desired point without respecting a cutting unit/module**. For the first time the light adapts itself to a project and not the opposite.
- **Produced through an advanced silicon extrusion process**, compared with a traditional PVC sheathing, it looks more white (PVC looks yellowish), lighter in terms of weight, more soft and flexible, strong impact resistant and with an high weather resistance.
- Ultra slim, **3x6mm**, it allows extreme applications where no other items could be used. Due to its hi flexibility and dimension, it can reach a reduced bending radius. Available in side bending version.
- Perfectly uniform dot-free smooth and comfortable lighting, up to 10m(32,8ft) run lenght with single feed.
- IP67 for indoor and outdoor use, it is avaiable in two versions: with a "frontal frame" cretaed to hide possible imperfections in the groove made to recess it or, without, to be completely recessed.
- PWM dimmable.
- **5 years warranty** (indoor use) / **3 years warranty** (outdoor use).



Specification

Dimension / Diagram

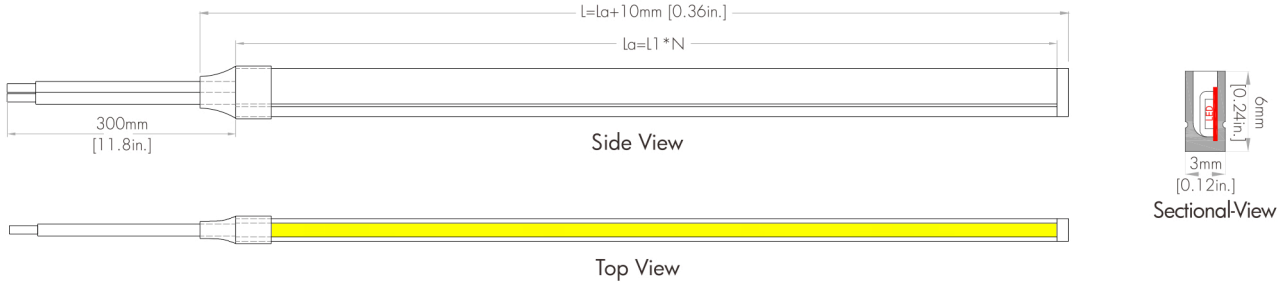
Endcap sealed by gluing process

L: Total length
 Lb: Luminous surface length
 N: Number like 1, 2, 3.....

La: LED strip length
 L1: LED strip increment

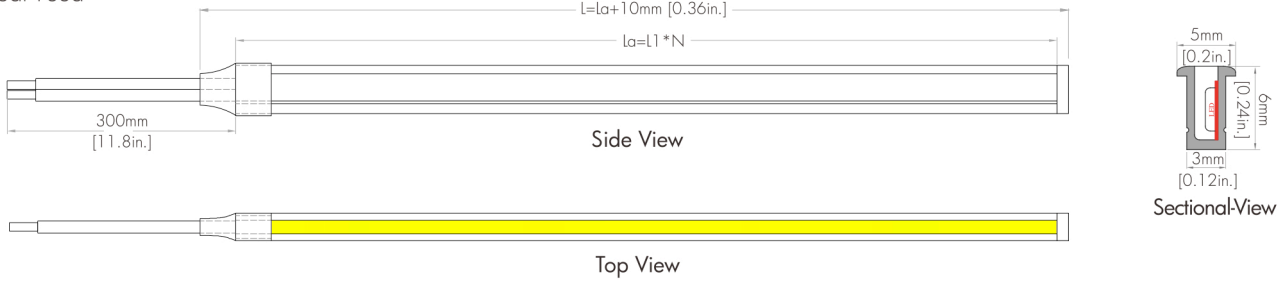
LUXYLED EVO3 (without frame)

Power Rear Feed



LUXYLED EVO3FR (with frame)

Power Rear Feed



General Parameters

Product No.	Style	Dimension	Max. Length (La)	Increment	LED QTY	IP&IK Rating	Operating Ambient	Lifespan	Warranty
LUXYLED EVO3 (without frame)	Side-bend	W3xH6mm [W0,12xH0,24in.]	5m [16,4ft.]	ZERO MODULES TECHNOLOGY	240LED/m [73LED/ft.]	IP67	Ta: -20~45°C [-4~113°F]	50,000h (L70@ Tc≤65°C [149°F], Tc is the temp. of LED pin)	5 years (indoor)
LUXYLED EVO3FR (with frame)									3 years (outdoor)

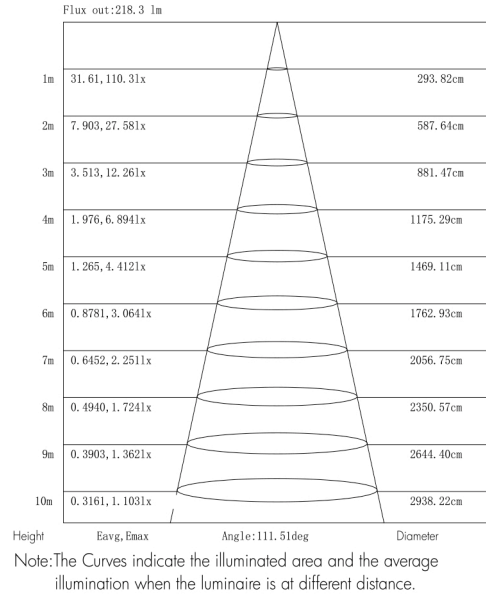
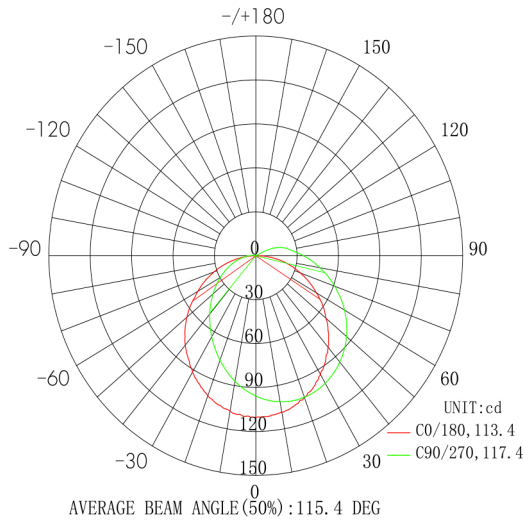
Photoelectric Parameters

Product No.	Style	Power ±10% (L1x20)	Operating Voltage	Finished Product CCT/ Wavelength	IP67 CRI80, 4000K		IP67 CRI90, 4000K		Beam Angle
					Luminous Flux±10%	Light Efficiency	Luminous Flux±10%	Light Efficiency	
LUXYLED EVO3 (without frame)	Side-bend	9W/m [2,74 W/ft]	24Vdc	2700K ± 120K 3000K ± 150K 4000K ± 300K 5000K ± 400K			270lm/m [82lm/ft]	30lm/W	120°
LUXYLED EVO3FR (with frame)									

Note:

- (1) Luminous flux for CCT 2700K is 10% lower, for CCT 3000K is 5% lower, for CCT 3500K/5000K/6000K is the same, compared with 4000K.
- (2) The Max. Length (La) is defined as power fed on one side.
- (3) The standard packing length is fixed by default per reel without installation accessories; customized packing length is required to be evaluated.
- (4) Installation accessories pack should be ordered separately according to specific case.

Light Distribution Diagram



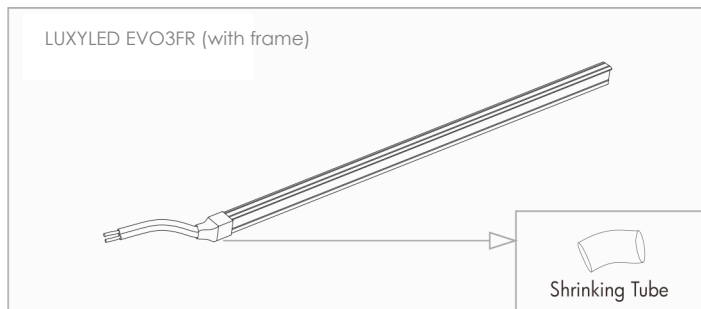
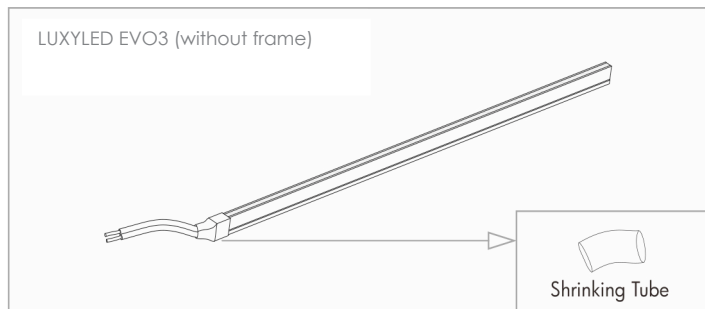
(9W [2.74W/ft.], CRI90, 4000K)

Cutting



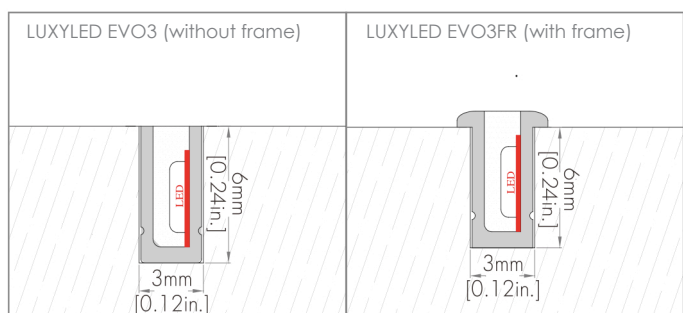
General Characteristics

(1) Power cable in rear feed.



Note: Applied with shrinking tube for the power feeder side.

(2) Flush mounting in the groove by gluing process, or by pressing without glue.



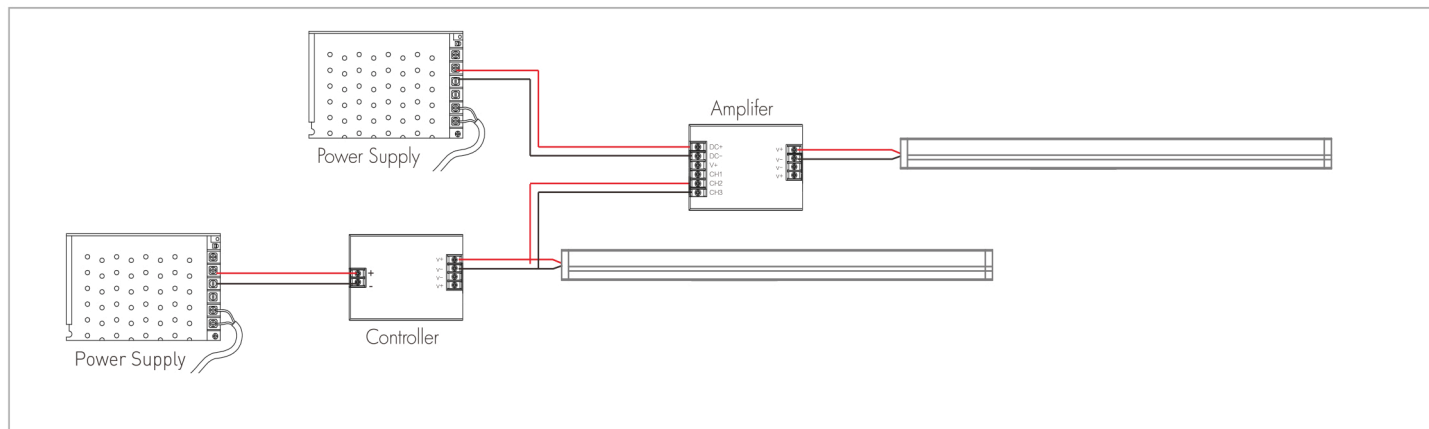
Note: Groove size requirement for flush mounted.

Connection

Non-dimmable Method



Dimmable Method



Notice

1. Adopt suitable power supply with power is 20% higher than the max. power of luminary, to ensure long time performance of power supply.
2. Do not install it when power is on. Before powering on, make sure the wiring is correct.
3. Avoid privately changing or damaging the circuit or other component on the luminary.
4. Avoid scrape, twist and irregular bend during installation, which might cause non repairable status for the luminary.
5. Minimum bending diameter definition is 60mm[2.36in.], too small bending diameter will break the luminary.
6. Minimum twist degree is 360° per 1000mm[39.4in.].
7. Luminary linked in over long length will lead to problem of overload or uneven brightness.
8. To protect your eyes, do not stare at the luminary for a long time while it's illuminated.
9. Only professional personnel can install, dismantle and repair.
10. Bend and twist diagram is shown as below.

